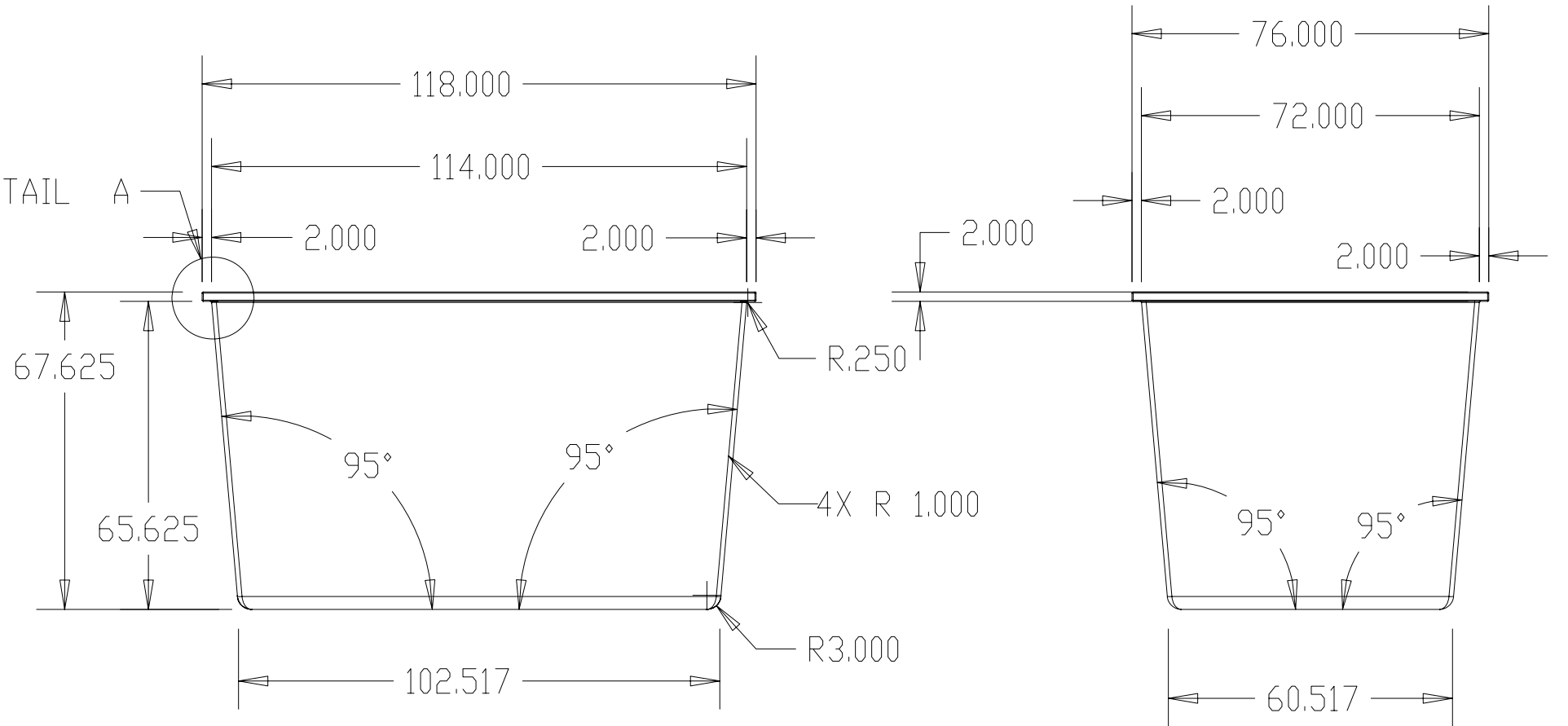


DETAIL A  
SCALE 0.150

SEE DETAIL A



Length  
 $114 + 102.517 = 216.517$   
 $216.517 / 2 = 108.259$   
 $108.259 - .375 - .375 = 107.509$

Width  
 $72 + 60.517 = 132.517$   
 $132.517 / 2 = 66.259$   
 $66.259 - .375 - .375 = 65.509$

Height  
 $65.625 - .375 = 65.25$

Cubic Feet  
 $107.509 \times 65.509 \times 65.25 = 459543.15$   
 $459543.15 / 1728 = 265.939$  cubic feet

With this design figuring  
 in 3/8" wall thickness  
 we are acheiving  
 266 cubic ft.

**HD FOWLER CO.  
 MODEL PM-120**



1021 MADISON STREET  
 BRAINERD, MN 56401  
 PH: (218) 828-0110  
 FAX: (218) 829-8677

<b>LAKELAND MOLD COMPANY</b>			
SHRINK r	DESCRIPTION		PRINT # 1 OF 1
SCALE 0,030	DRAWN BY	CHKD / DATE	APRVD / DATE
.XXX ± .005 .XX ± .01	NOTES		TOOLING CODE
			DATE 06-Mar-06
			REV
			JOB #